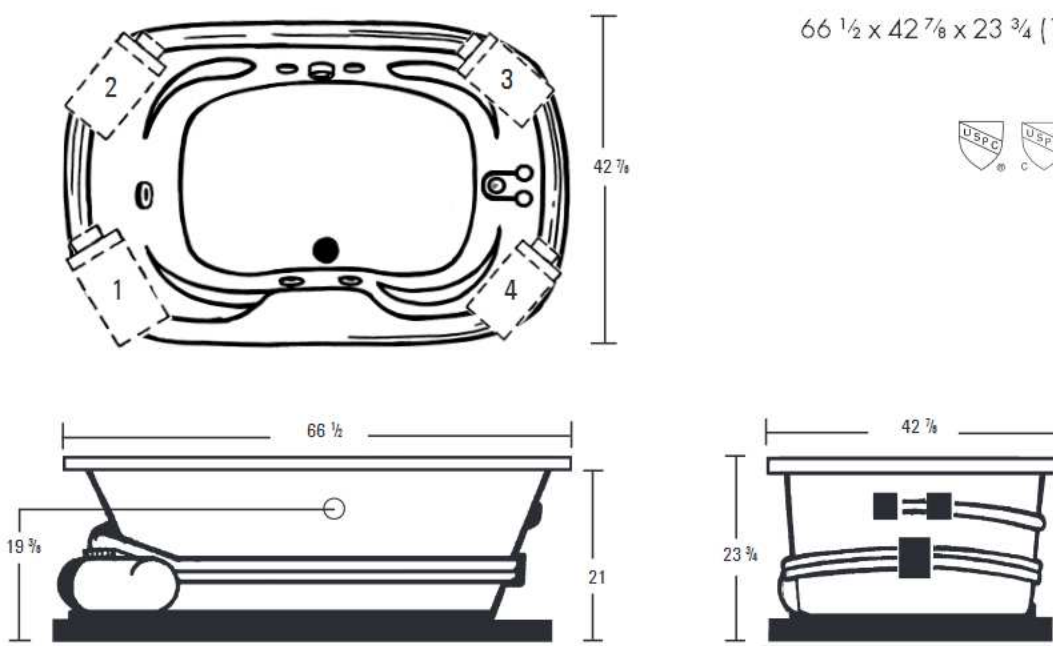


CANTERBURY

66 1/2 x 42 7/8 x 23 3/4 (1690 x 1090 x 600)
inches (mm)



FEATURES lbs [kg] Dimensional Tolerance ± 3/8". Dimensions needed for site preparation should be measured from the unit. Aquatic assumes no responsibility for preparatory work.

Type and Model #	Material	Jets	Pump	Heater	Controls	Drain	Pkg. Wt.
Whirlpool #A16644HCN	Acrylic	8	1.75 HP	1.5 kw Inline (optional)	Electronic on/off	Center Front	220 (100)

DIMENSIONS inches (mm)

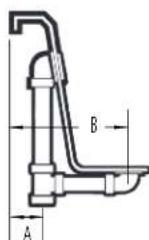
Width Overall / Net	Depth Overall / Net	Height Overall / Net	Skirt Height
66 1/2 (1690)	42 7/8 (1090)	23 3/4 (605)	-

SUMP DATA inches (mm)

Capacity to Overflow gal (lir)	Min. Operating Capacity gal (lir)	WIDTH @ centerline		DEPTH @ centerline	
		Top	Bottom	Top	Bottom
97 (2465)	78 (295)	59 (1500)	44 (1115)	31 1/2 (800)	29 1/4 (745)

PLUMBING DIMENSIONS inches (mm)

A	B
6 3/4 (170)	12 1/8 (310)



ELECTRICAL DATA

Component	Specification	Requirement
Pump	1.75 HP; 12 AMP; 110 V	15 AMP; 110V, separate circuit; Class A GFCI
Optional Heater	1.5 kW; 12.5 AMP; 110 V	15 AMP; 110V, separate circuit; Class A GFCI

NOTES:

1) Where applicable, utilize cut-out templates packed with unit for deck cutouts.

2) 16 x 20 (405 x 510) minimum access required at pump/blower location(s).